

# BOLLY® PRIMO

POLYWARM® COATED CALORIFIER FOR D.H.W. PRODUCTION WITH 1 FIXED HEAT EXCHANGER FOR WALL OR FLOOR STANDING INSTALLATION



### APPLICATION

Production and storage of domestic hot water (DHW).

### MATERIAL

Mild steel Polywarm® coated (Attestation ACS - SSICA - DVGW - W270 - WRAS)

### HEAT EXCHANGER

Mild steel Polywarm® coated heat exchanger.

### INSULATION

High thermal insulation with ecological polyurethane hard foam.

Grey PVC external lining.

### CATHODE PROTECTION

Magnesium anode.

### DRAIN

External confluence through drain connection (vertical version).

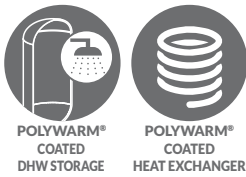
### WARRANTY

2 years - See general sales conditions and warranty

### ACCESSORIES AND SPARE PARTS

See Accessories section for the entire list.

**NEW**



POLYWARM®  
COATED  
DHW STORAGE

POLYWARM®  
COATED  
HEAT EXCHANGER

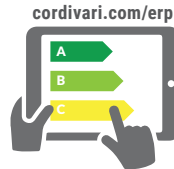


## BOLLY® PRIMO

HEAT EXCHANGER SURFACE ENERGY EFFICIENCY CLASS

### HARD FOAM insulation

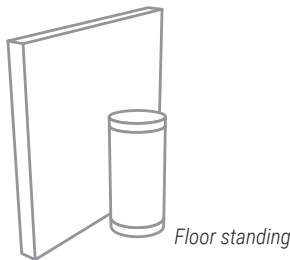
Model	Pallet Art. Nr.	PIECES per pallet	[m²]	ErP
100	310416090005206	6	0,44	C
150	310416090005306	6	0,63	C
200	310416090005404	4	0,84	C
300	310416090005504	4	1,22	C



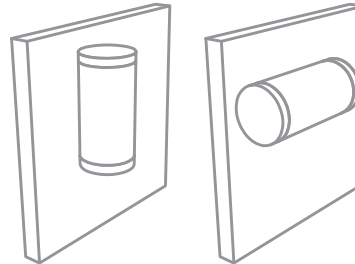
On line ErP label tool

Model	Output [kW]	Ignition time [min]	Production of D.H.W. [lt/h]	[lt/10']
100	14	32	345	200
150	21	33	508	298
200	29	32	704	403
300	42	34	1027	599

*Data have been calculated with primary water at 80°C - DHW production from 10°C to 45°C, and storage at 60 °C*



Floor standing



With the wall mounting kit (optional) it is possible to install the tank vertically or horizontally

## ACCESSORIES

### Wall fixing kit

ART. NR.	For model
5221000000069	100
5221000000070	150
5221000000071	200
5221000000072	300

zinc-coated brackets +PVC bottom cover



### Thermometer

Art. Nr.
5032240000107
5 units box



### Electric immersion heater with thermostat

Art. Nr.	Output	Connection
5240000000042	1,5 kW	1" 1/4



### Magnesium anode

ART. NR.	Model
5200000041015	100÷150
5200000041010	200÷300
2 units box	



# BOLLY® PRIMO

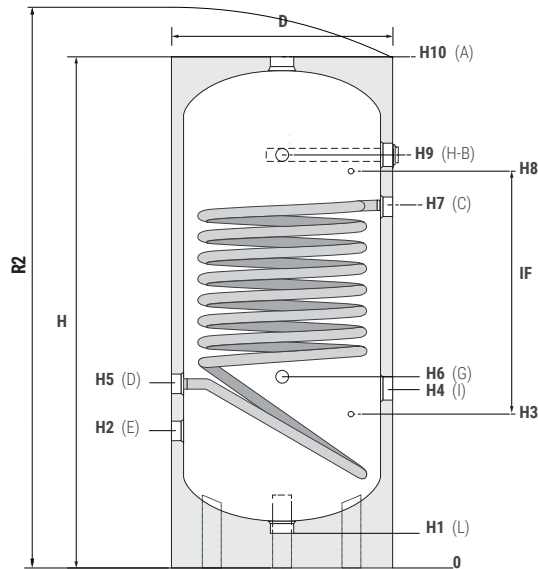
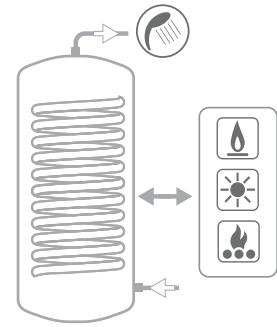
POLYWARM® COATED CALORIFIER FOR D.H.W. PRODUCTION WITH 1 FIXED HEAT EXCHANGER FOR WALL OR FLOOR STANDING INSTALLATION

STORAGE		HEAT EXCHANGER	
Pmax	Tmax	Pmax	Tmax
10 bar	90 °C	12 bar	110 °C

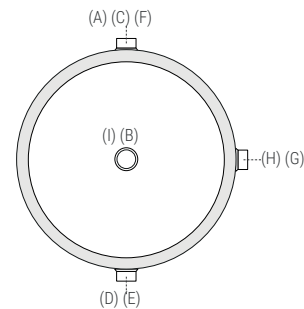
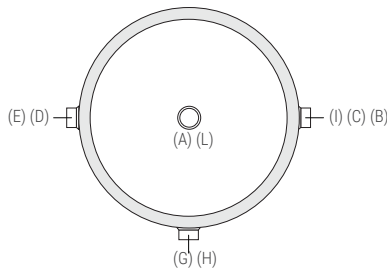
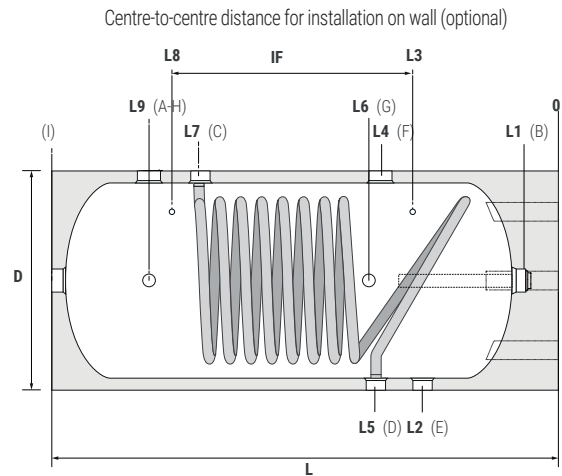


**CORDIVARI® Lab**

TÜV Rheinland Energie und Umwelt GmbH states that test procedures and Cordivari LAB are certified conforming to European standard EN 15332, as indicated by Ecodesign ErP Directive.



Centre-to-centre distance for installation on wall (optional)



- A** Domestic hot water outlet 1"1/4 F
- B** Magnesium anode 1"1/4 F
- C** Primary circuit inlet 1" F
- D** Primary circuit outlet 1" F
- E** Domestic cold water circuit inlet 1"1/4 F
- G** Instrumentation 1/2" F
- H** Instrumentation 1/2" F
- I** Connection for electric immersion heater 1"1/4 F
- L** Drain 1"1/4 F

Model	Volume	Weight	D	H/L	H1/L1	H2/L2	H3/L3	H4/L4	H5/L5	H6/L6	H7/L7	H8/L8	H9/L9	IF	R2
	[lt]	[kg]													
<b>100</b>	103	29	450	1026	73	277	295	362	372	387	727	805	822	510	1124
<b>150</b>	149	40	450	1401	73	277	407	437	372	387	1102	1067	1197	670	1471
<b>200</b>	191	47	510	1424	76	290	395	450	385	400	1115	1105	1210	715	1513
<b>300</b>	293	62	610	1471	71	311	416	421	406	421	1136	1126	1231	715	1592