

# VASO INERZIALE

POLYWARM® COATED DOMESTIC HOT WATER ACCUMULATION TANK



## APPLICATION

Domestic hot water storage.

## MATERIAL

Mild steel Polywarm® coated (Attestation ACS - SSICA - DVGW - W270

- UBA - WRAS)

## INSULATION

- HARD: High thermal insulation with ecological polyurethane hard foam.  
- SOFT: NOFIRE® polyester fleece 100% made of recyclable material, with high thermal insulation. Fire resistance class B-s2d0 according to EN 13501.

Grey PVC external lining complete with top and flange cover

## CATHODE PROTECTION

Magnesium anode. Models > 1500 n° 2 magnesium anode.

## DRAIN

External confluence through drain connection.

Models > 1000 external confluence through drain pipe.

## GASKET- FLANGE PLATE

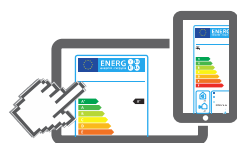
Silicone gaskets suitable for alimentary use for max temperature up to 200°C. Mild steel inspection flange plate with Polywarm®

## WARRANTY

5 years - See general sales conditions and warranty

## ACCESSORIES AND SPARE PARTS

See Accessories section for the entire list.



[www.cordivari.com/erp](http://www.cordivari.com/erp)

On line ErP label tool

## VASO INERZIALE WB

ENERGY EFFICIENCY CLASS



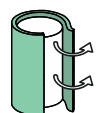
Model	HARD FOAM insulation	Energy Efficiency Class
	Art. Nr.	
200	3060162310102	C
300	3060162310103	C
500	3060162310104	C
800	3060162310105	C
1000	3060162310106	C
1500	3060162310107	C
2000	3060162310108	C

## VASO INERZIALE WC

ENERGY EFFICIENCY CLASS



Model	DISMOUNTABLE SOFT FLEECE insulation	Energy Efficiency Class
	Art. Nr.	
500	3060161620134	C
800	3060161620135	C
1000	3060161620136	C
1500	3060161620137	C
2000	3060161620138	C
2500	3060161620113	
3000	3060161620109	
4000	3060161620110	
5000	3060161620112	



## ELECTRICAL IMMERSION HEATERS

Mod.	Volume of water heated by the electrical immersion [lt]	MONOPHASE			THREEPHASE					
		1,5 kW	2 kW	3 kW	4 kW	5 kW	6 kW	9 kW	12 kW	
		5240000000051	5240000000052	5240000000053	5240000000047	5240000000048	5240000000049	5240000000050	5240000000031	
		Ignition time from 10 °C to 45 °C with immersion heaters [min]								
200	49	87	65	44	//	//	//	//	//	
300	76	136	102	68	//	//	//	//	//	
500	127	228	171	114	//	//	//	//	//	
800	178	318	239	159	//	//	//	//	//	
1000	243	436	327	218	163	131	109	73	54	
1500	288	516	387	258	194	155	129	86	65	
2000	443	793	595	396	297	238	198	132	99	
2500	577	1033	775	517	387	310	258	172	129	
3000	577	1033	775	517	387	310	258	172	129	
4000	797	1428	1071	714	535	428	357	238	178	
5000	1040	1864	1398	932	699	559	466	311	233	

Accessories on request

### "Easy Control" Electronic Display

ART. NR.	FOR MODELS
5005000310002	WC
5005000310003	WB



### Thermometer

Art. Nr.
5032240000107
5 units box



### Titanium electronic anode

Art. Nr.	Model
5200000000008	200, 300
5200000000009	500, 800
5200000000011	1000, 1500
5200000000013	2000+5000

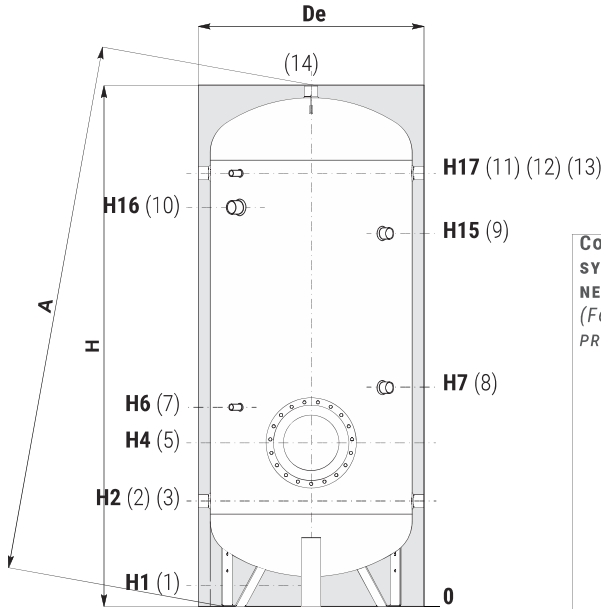
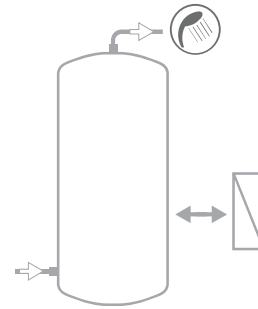


# VASO INERZIALE

POLYWARM® COATED DOMESTIC HOT WATER ACCUMULATION TANK

STORAGE		
Model	Pmax	Tmax
200 ÷ 1000	8 bar	90 °C
1500 ÷ 5000	6 bar	

**CORDIVARI Lab**  
TÜV Rheinland Energie und Umwelt GmbH states that test procedures and Cordivari LAB are certified conforming to European standard EN 15332, as indicated by Ecodesign ErP Directive.

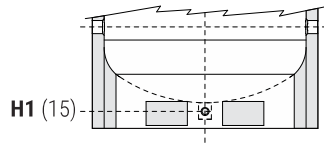
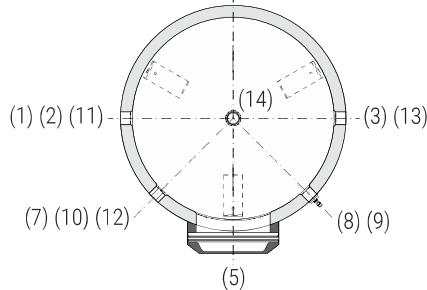


**COMPLETE YOUR SYSTEM WITH THE NEW PRS MODULE (FOR IMMEDIATE DHW PREPARATION)**



SEE HYDRONIC SECTION

- 1 Drain 1" 1/4 Gas F.  
For model 1000 connection 1"1/2 Gas F
- 2 Domestic cold water circuit inlet
- 3 Delivery to external heat exchanger
- 5 Blind flange for inspection  $\varnothing e$  300
- 7 Connection for instrumentation 1/2" Gas F
- 8 Connection for magnesium anode 1"1/4 Gas F
- 9 Connection for 2°C anode 1"1/4 Gas F (for models > 1500)
- 10 Connection for electrical immersion 1" 1/2 Gas F  
For models > 800 connection 2" Gas F
- 11 Recirculation
- 12 Connection for instrumentation 1/2" Gas F
- 13 Backflow external heat exchanger
- 14 Domestic hot water outlet
- 15 Drain 1" Gas F (only for models > 1000)



Models from 1500 to 5000 have two grips on the bottom which allow the use of forklift when handling and drain pipe already fitted.

## HARD FOAM INSULATION (WB)

Model	Volume Weight		De	H	A	H1	H2	H4	H6	H7	H15	H16	H17	2-3 11-13		14
	[litres]	[kg]												Connections Gas F		
<b>200</b>	192	41	550	1449	1550	85	325	410	520	650	//	1075	1185	1"1/4	1"1/4	1"1/4
<b>300</b>	293	52	650	1499	1634	85	350	435	545	735	//	1100	1210	1"1/4	1"1/4	
<b>500</b>	501	69	750	1800	1950	85	375	460	570	760	//	1329	1485	1"1/4	1"1/4	1"1/4
<b>800</b>	792	111	900	2135	2317	85	405	490	600	870	//	1610	1765	1"1/4	1"1/4	
<b>1000</b>	1041	150	1000	2221	2436	105	458	543	653	993	//	1664	1818	1"1/2	1"1/2	2"
<b>1500</b>	1443	186	1100	2415	2654	109	440	525	635	1075	//	1895	2050	1"1/2	2"	
<b>2000</b>	1975	223	1300	2492	2811	91	467	542	652	842	1952	1877	2057	2"	2"	

## SOFT FLEECE INSULATION (WC)

Model	Volume Weight		De	H	A	H1	H2	H4	H6	H7	H15	H16	H17	2-3 11-13		14
	[litres]	[kg]												Connections Gas F		
<b>500</b>	500	83	850	1841	1988	101	416	501	611	801	//	1370	1526	1"1/4	1"1/4	1"1/4
<b>800</b>	792	111	970	2188	2210	113	433	518	628	898	//	1638	1793	1"1/4	1"1/4	
<b>1000</b>	1041	150	1070	2242	2260	101	454	539	649	989	//	1660	1814	1"1/2	1"1/2	2"
<b>1500</b>	1443	186	1210	2440	2485	109	440	525	635	1075	//	1895	2050	1"1/2	2"	
<b>2000</b>	1975	223	1360	2492	2560	91	467	542	652	842	1952	1877	2057	2"	2"	2"
<b>2500</b>	2311	267	1350	2311	2470	140	551	626	736	976	1816	1732	1891	2"	2"	
<b>3000</b>	2917	313	1350	2811	2940	140	551	626	736	876	2316	2232	2391	2"	2"	2"
<b>4000</b>	3765	435	1500	2875	3040	114	570	645	755	895	2315	2238	2410	2"	2"	
<b>5000</b>	4979	558	1700	2915	3120	94	580	655	765	935	2335	2265	2420	2"	2"	

EXTRA-BOLLY® CALORIFIERS  
BOLLYTERM® CALORIFIERS  
STAINLESS STEEL CALORIFIERS  
CALORIFIERS FOR HEAT PUMP  
MULTIFUEL ENERGY CYLINDERS - PUFFER  
HYDRONIC  
INERTIAL TANKS  
WATER PRESSURE TANKS  
COMPRESSED AIR RECEIVERS  
ACCESSORIES AND SPARE PARTS  
TECHNICAL SUPPORT